

Rectangular floodlight with no visible screws made of shockproof resin material, UV-rays stabilized, rust and corrosion-free. Suitable for wall and ground installation. Provided complete with a fully adjustable bracket to direct the light emission. Supplied with TÜV-CB certified, long-life, efficient and **Kelvin settable GX53 LED lamps included** or provided with **E27** lampholder. Motion sensor version available. Insulation class II, Protection rating IP66.



Proiettore rettangolare senza viti a vista, fabbricato in resina antiurto stabilizzata ai raggi UV, inattaccabile da ruggine e corrosione. Idoneo per installazioni a parete e al suolo. Fornito completo di braccio che permette l'orientamento del proiettore in qualsiasi posizione. Provvisto di lampadine a LED GX53 con Kelvin impostabile certificate TÜV-CB di lunga durata ed elevata efficienza o disponibile nella versione E27. Disponibile anche con sensore di movimento. Classe di isolamento II, grado di protezione IP66.



2N1.702.D2K

CCT SETTABLE

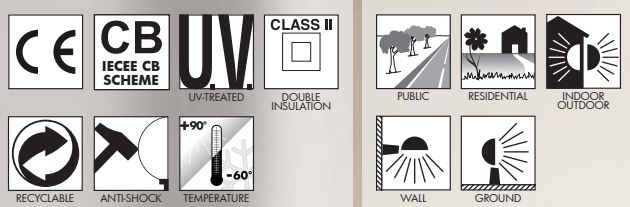


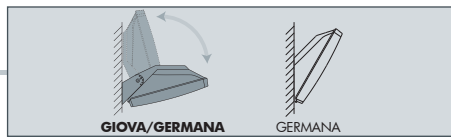
3000 K

4000 K

6500 K

SDCM <6





GIOVA/GERMANA - COMPONENTS

IP66



COVER with no visible screws, made of shockproof resin material, UV-rays stabilized.

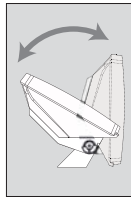
COVER senza viti a vista in resina antiurto stabilizzata ai raggi UV.

DIFFUSER made of UV-rays stabilized polymethylmethacrylate (PMMA) screwed to the floodlight body.

DIFFUSORE realizzato in polimetilmetacrilato (PMMA) stabilizzato ai raggi UV da avvitare al corpo del proiettore.

BODY made of shockproof resin material, UV-rays stabilized, provided with silicone rubber gasket to ensure high protection against external agents.

CORPO realizzato in resina antiurto, stabilizzata ai raggi UV, completa di guarnizione in gomma siliconica per garantire un alto livello di protezione contro gli agenti esterni.



BRACKET made of shockproof resin material, UV-rays stabilized, to allow a fully adjustable position of the floodlight.

BRACCIO realizzato in resina antiurto, stabilizzato ai raggi UV, che permette l'orientamento in qualsiasi posizione del proiettore.

GIOVA/GERMANA



Dimensions and weight

Height: 280 mm
Width: 180 mm
Weight: 1,6 Kg

Moulded Colours:

Black Grey White

Diffuser PMMA:



Opal

2x GX53 LED



Floodlight supplied **fully pre-wired** complete with 2x TÜV-CB certified, long-life, efficient and **Kelvin settable GX53 LED lamps included**. Different wattages available. Quick and easy lamp replacement for a very simple maintenance after installation.

100 - 240 V

LAMP	POWER	LUMINOUS FLUX (Φ TOTAL) UP TO	COLOUR TEMP.	*ADD. SUFFIX
	2x 3W 6W	820 lm	6500 K	.G2K
			4000 K	
			3000 K	
	2x 10W 20W	2580 lm	6500 K	.D2K
			4000 K	
			3000 K	



2x 10W = 50W
2.580 Lm SON-HQI


SAVE 60%

E27



Floodlight supplied **fully pre-wired** with white resin reflective ceiling designed to grant lampholder protection and isolation. Safe fixation of the electrical devices on the plate rear side.

Daylight and motion sensor available as an option. Sensor operating voltage: 220-240V (120V available on demand).

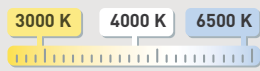
E27 (CFL -LED)	max 160 mm	.P27
E27 + Sensor (CFL -LED) 	max 160 mm	.PS7

LED LAMPS



Comply with: EU2019/2015
EU2019/2020
Technical details on page 596.

CCT SETTABLE LED LAMP



CCT switch settable in three different positions, to select the desired Kelvin temperature (3000K/4000K/6500K) and get a customized ambience.

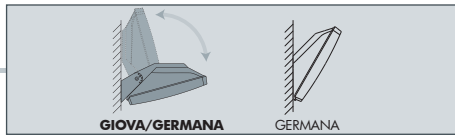
* ADD THESE SUFFIXES TO THE REFERENCES MENTIONED IN THE CATALOGUE

GIOVA/GERMANA

FLOODLIGHT



MADE IN ITALY

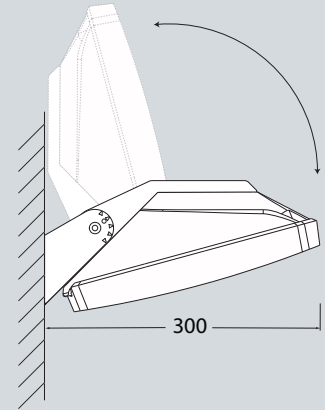
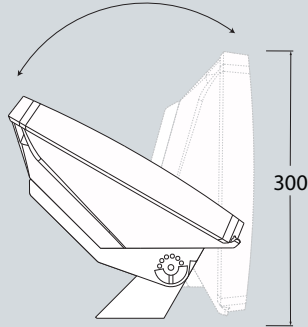
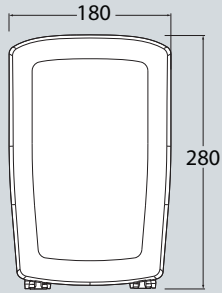


GIOVA/GERMANA GX53

6W 2N1.702.G2K

20W 2N1.702.D2K

2 CCT SETTABLE GX53 LED LAMPS INCLUDED
3000K/4000K/6500K

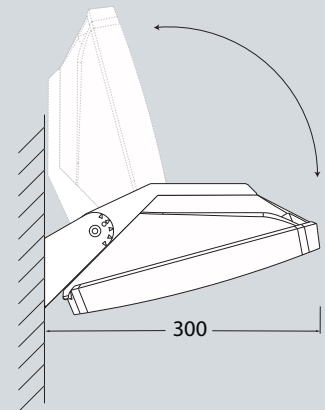
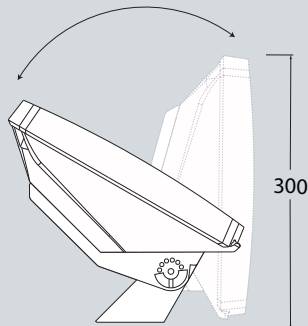
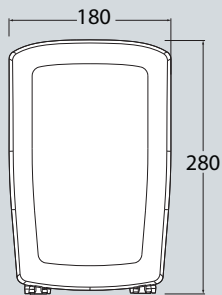


Pcs 18
Kg 29,8
mc 0,198

GIOVA/GERMANA E27

E27 lampholder 2N1.702.P27

E27 with sensor 2N1.702.PS7



Pcs 18
Kg 21,7
mc 0,198