

# GIOVA/GIUSEPPE

## FLOODLIGHT

Square floodlight with no visible screws made of shockproof resin material, UV-rays stabilized, rust and corrosion-free. Suitable for wall, ground and post installation. Provided complete with a fully adjustable bracket to direct the light emission. Supplied with TÜV-CB certified, long-life, efficient and **Kelvin settable GX53 LED lamps included** or provided with **2x E27 lampholders**. Motion sensor version available. Insulation class II, Protection rating IP66.



GIOVA/GIUSEPPE  
4P1.702  
4P2.702

*Proiettore quadro senza viti a vista, fabbricato in resina antiurto stabilizzata ai raggi UV, inattaccabile da ruggine e corrosione. Idoneo per installazioni a parete, a suolo e a palo. Provvisto completo di braccio che permette l'orientamento del proiettore in qualsiasi posizione. Fornito con **include lampadine a LED GX53 con Kelvin impostabile** certificate TÜV-CB di lunga durata ed elevata efficienza o disponibile nella versione **2x E27**, anche con sensore di movimento. Classe di isolamento II, grado di protezione IP66.*

4P1.702.B1K



**CCT SETTABLE**

2700 K 3000 K 4000 K 6500 K

SDCM <6




**GIOVA/GIUSEPPE - COMPONENTS**



**COVER** with no visible screws, made of shockproof resin material, UV-rays stabilized.

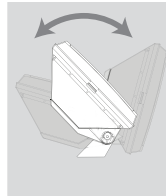
**COVER** senza viti a vista in resina antiurto stabilizzata ai raggi UV.

**DIFFUSER** made of UV-rays stabilized polymethylmethacrylate (PMMA) screwed to the floodlight body.

**DIFFUSORE** realizzato in polimetilmetacrilato (PMMA) stabilizzato ai raggi UV da avvitare al corpo del proiettore.

**BODY** made of shockproof resin material, UV-rays stabilized, provided with silicone rubber gasket to ensure high protection against external agents.

**CORPO** realizzato in resina antiurto, stabilizzata ai raggi UV, completa di guarnizione in gomma siliconica per garantire un alto livello di protezione contro gli agenti esterni.



**BRACKET** made of shockproof resin material, UV-rays stabilized, to allow a fully adjustable position of the floodlight.

**BRACCIO** realizzato in resina antiurto, stabilizzato ai raggi UV, che permette l'orientamento in qualsiasi posizione del proiettore.

**GIUSEPPE**



**Dimensions and weight**

Height: 150 mm  
Width: 300 mm  
Weight: 2,8 Kg

**Moulded Colours:**

Black Grey White

**Diffuser PMMA:**

Opal

**LED LAMPS**



LVD EMC ERP

Comply with: EU2019/2015  
EU2019/2020  
Technical details on page 596.


**4x GX53 LED**



4P2.702

Floodlight supplied with white resin reflective ceiling fully pre-wired and complete with 4 x TÜV-CB certified, long-life, efficient and Kelvin settable GX53 LED lamps included. Different wattages available. Quick and easy lamp replacement for a very simple maintenance after installation.

**100 - 240 V**

LAMP	POWER	LUMINOUS FLUX (Φ TOTAL) UP TO	COLOUR TEMP.	*ADD. SUFFIX
 GX53 LED	4x 10W <b>40W</b>	<b>5160 lm</b>	6500 K 4000 K 3000 K	.D4K

4x 10W = 100W  
5160 Lm SON-HQI

**SAVE 60%**

**CCT SETTABLE**

2700 K 3000 K 4000 K 6500 K

SDCM <6










**GX53 LED**



4P1.702

Floodlight supplied fully pre-wired and complete with TÜV approved, long-life, efficient and Kelvin settable GX53 LED lamp in different wattages.

**100 - 240 V**

LAMP	POWER	LUMINOUS FLUX (Φ TOTAL) UP TO	COLOUR TEMP.	*ADD. SUFFIX
 GX53 LED	<b>7,2 W</b>	<b>920 lm</b>	6500 K 4000 K 2700 K	.A1K
 GX53 LED	<b>11,3 W</b>	<b>1510 lm</b>	6500 K 4000 K 2700 K	.B1K
 GX53 LED	<b>17 W</b>	<b>2350 lm</b>	6500 K 4000 K 2700 K	.E1K
  GX53 LED	<b>7,2 W + SENSOR</b>	<b>920 lm</b>	6500 K 4000 K 2700 K	.ASK
  GX53 LED	<b>11,3 W + SENSOR</b>	<b>1510 lm</b>	6500 K 4000 K 2700 K	.BSK
  GX53 LED	<b>17 W + SENSOR</b>	<b>2350 lm</b>	6500 K 4000 K 2700 K	.ESK

7,2W 11,3W 17W = 60W 100W 150W  
incandescent



**SAVE 88%**

**2x E27**



4P2.702

Floodlight supplied fully pre-wired with white resin reflective ceiling and complete with 2x E27 lampholders. Daylight and motion sensor available as option. Sensor operating voltage: 220-240V. (120V version available on demand).

LAMP	POWER	LUMINOUS FLUX (Φ TOTAL) UP TO	COLOUR TEMP.	*ADD. SUFFIX
 2x E27 (CFL-LED)		max 160 mm		.E28
 2x E27 + SENSOR		max 160 mm		.ES8

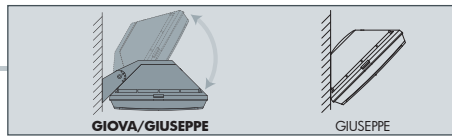
\* ADD THESE SUFFIXES TO THE REFERENCES MENTIONED IN THE CATALOGUE

# GIOVA/GIUSEPPE

## FLOODLIGHT



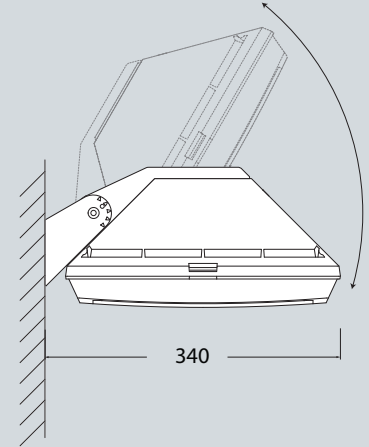
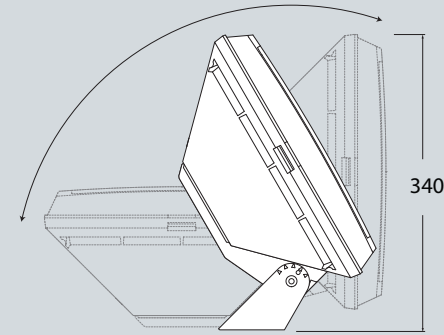
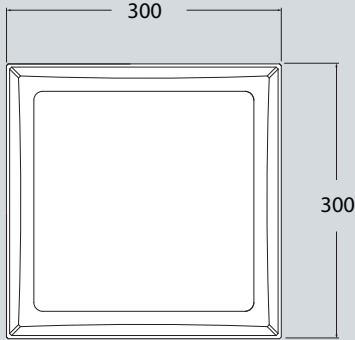
MADE IN ITALY



**GIOVA/GIUSEPPE GX53**

<b>7,2W</b>	4P1.702.A1K
<b>11,3W</b>	4P1.702.B1K
<b>17W</b>	4P1.702.E1K
<b>40W</b>	4P2.702.D4K

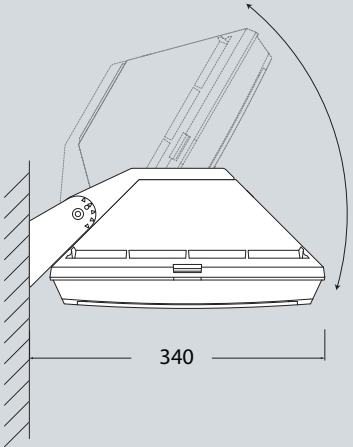
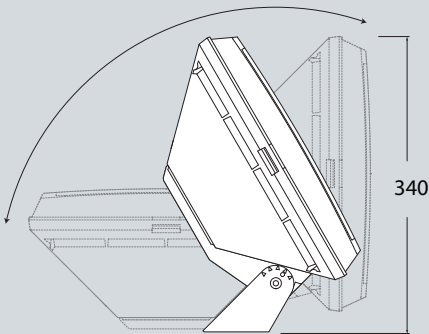
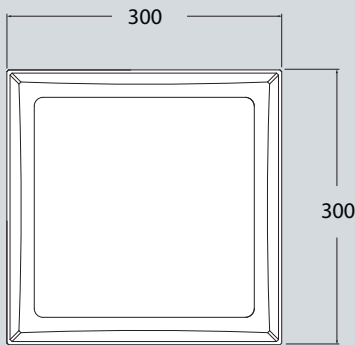
CCT SETTABLE GX53 LED LAMPS INCLUDED



Pcs 10  
Kg 31  
mc 0,195

**GIOVA/GIUSEPPE 2xE27**

<b>2xE27 lampholder</b>	4P2.702.E28
<b>2xE27 with sensor</b>	4P2.702.ES8



Pcs 10  
Kg 21  
mc 0,195

**POST SYSTEM VERSION**



Detailed information on page 466.